

TLG01304B
(W/ pop-up waste)

TLG01306B
(W/O pop-up waste)

TLG01304B
TLG01306B



Comfort
Glide



Reduce The
Water
Technology

FEATURES

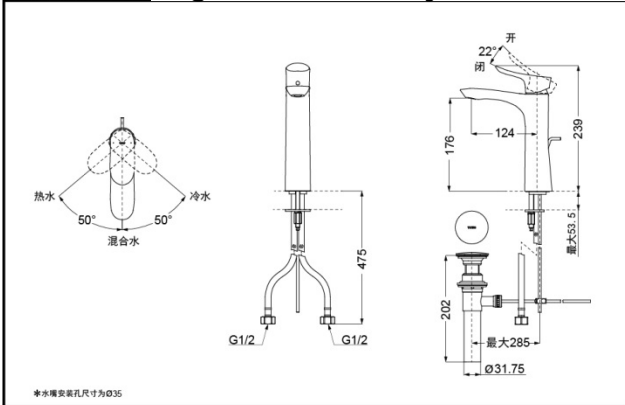
- Elegant appearance.
- Beautiful curves reveal elegant taste.
- Easy installation and usage.
- Unique aerial technology , smooth and moderate flow presents more comfort experience and saves water as well.

SPECIFICS

Water Inlet Requirement :
0.05MPa(Dynamic
Pressure)~1.0MPa(Static
Pressure)

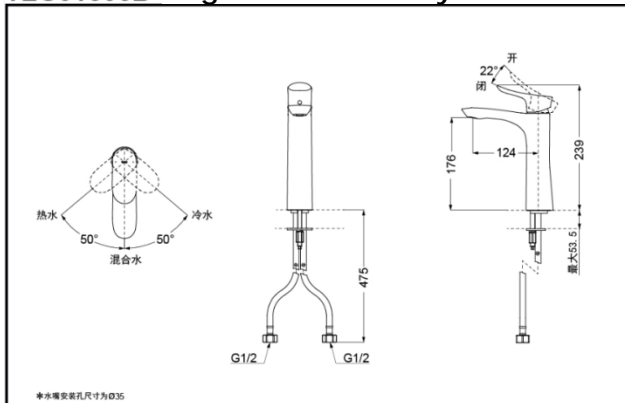
Water Efficiency : Grade1
Spout : Bubbler equipped

TLG01304B Single-Lever Lavatory Faucet



*TOTO(CHINA) CO.,LTD. All rights reserved.

TLG01306B Single-Lever Lavatory Faucet



*TOTO(CHINA) CO.,LTD. All rights reserved.

Others

Series : GO